

## AFTERCARE INSTRUCTIONS

Excessive exposure to water will deteriorate the furniture. Wipe away any water splashes or condensation after use.

All bathrooms should be well ventilated. We recommend the installation of a suitable extractor fan.

Clean with a soft damp cloth only.

Use a wax free polish if one must be used.

The basin waste should be regularly cleaned and cleared of any blocks to ensure the longevity of the furniture.

## CUSTOMER SERVICE

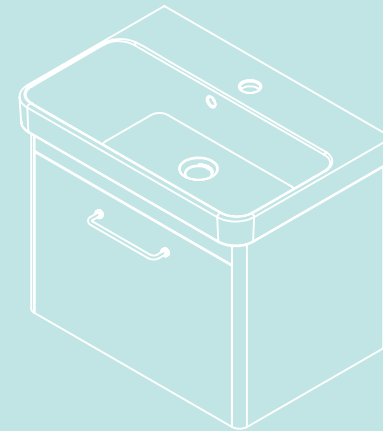
t: +44(0)208 686 5100  
e: [technical@saneux.com](mailto:technical@saneux.com)

Iain Stewart Centre, Beehive  
Ring Road, Gatwick, RH6 0PB

[www.saneux.com](http://www.saneux.com)

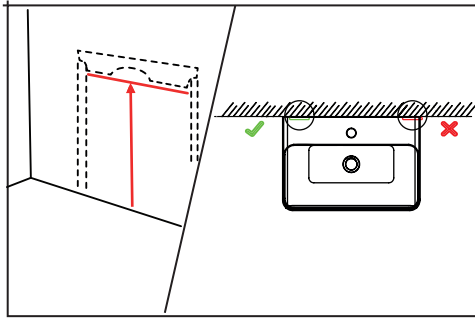
# HYDELITE

## INSTALLATION INSTRUCTIONS

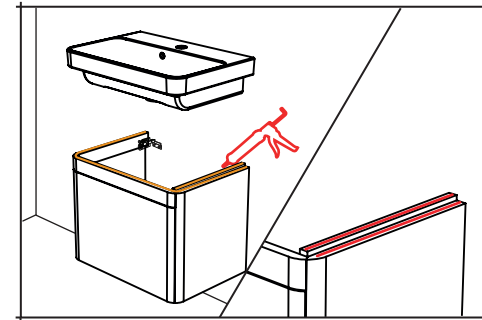


HYLO55WB.GW

saneux

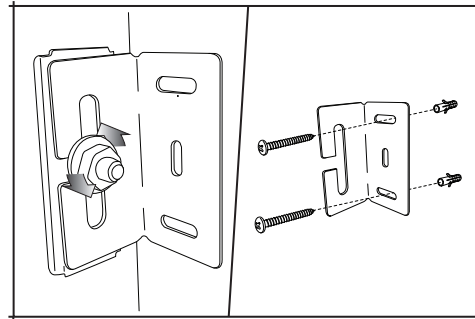


1. Mark the location of both mounting plates, ensuring that they are positioned inside the unit's side panels. Make sure there are no hidden pipes or cables in the wall. The fixings supplied are for solid walls. For hollow or stud walls use specialist fixings.

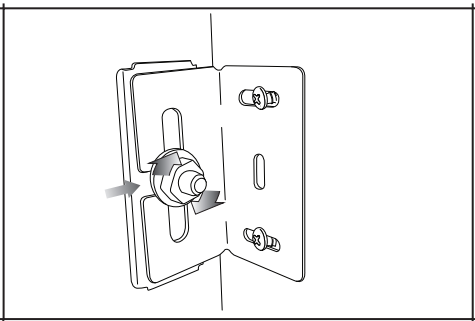
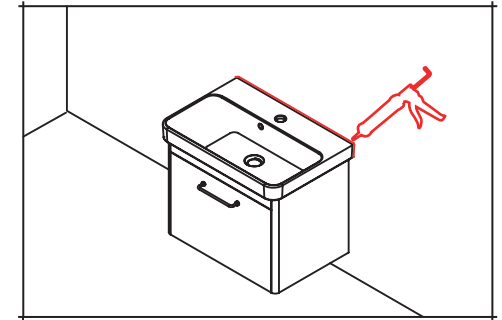


5. Having finished all the plumbing connections, secure the basin to the unit using a silicone sealant. Make sure the basin is correctly aligned with the furniture and allow the sealant to dry. The silicone sealant will help the basin sit level on the furniture and protect the unit from water damage.

2. Loosen the mounting plates which come pre-fixed to the unit. For each mounting plate drill two holes in the marked positions using a 8mm drill bit.



6. Once the basin is fitted and secured to the furniture unit, add a thin bead of silicone along with edge of the back of the basin.



3. Locate the plates on the inside walls of the unit onto the wall mounting plates. Secure the unit to the wall by tightening the screw. Use a spirit level to ensure the unit is balanced horizontally.

4. If the drawer needs drilling to install the handle: Ensure the paint does not blow on the front of the panels by placing the door (front face down) on a wooden board. Drill the pilot holes using an M4 drill bit. Fit the handles to the unit using the screws provided and a screw driver.

